

Spare parts for thrust units type S

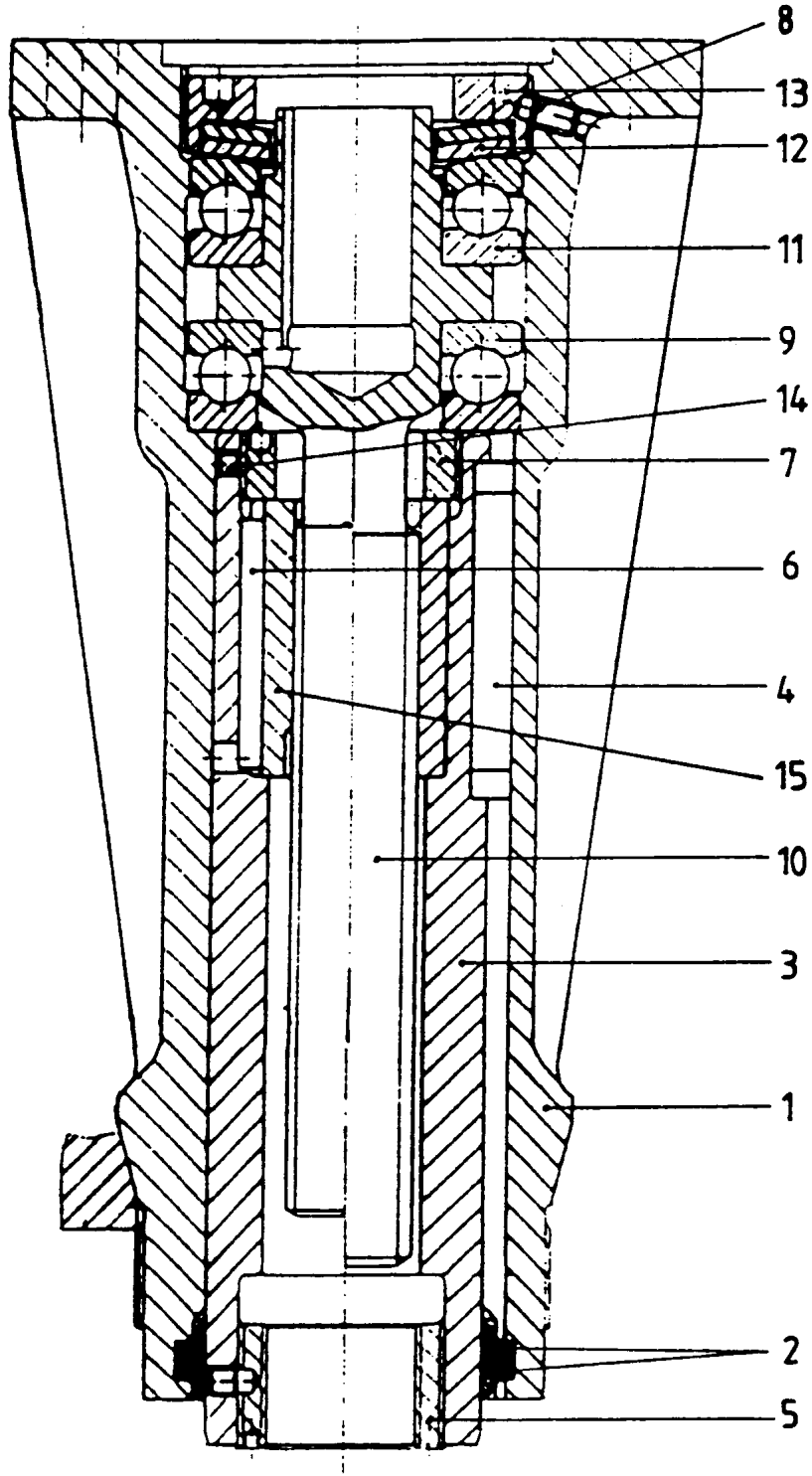


Bild 1

| Part No. | Designation |
|----------|----------------------------|
| 1 | Housing |
| 2 | gasketring |
| 3 | thrust part |
| 4 | key |
| 5 | tapped bushing |
| 6 | key |
| 7 | threaded ring |
| 8 | thread pin |
| 9 | axial grooves ball bearing |
| 10 | spindle |
| 11 | axial grooves ball bearing |
| 12 | plate spring |
| 13 | threaded ring |
| 14 | thread pin |
| 15 | tapped bushing |